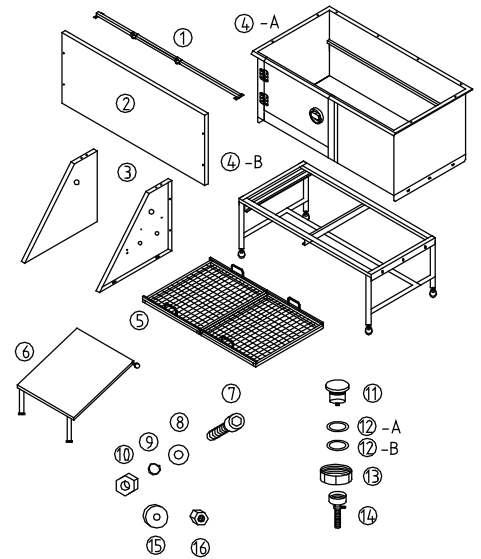


Paw Brothers® Professional Stainless Steel Tub Assembly Instructions

Parts list:

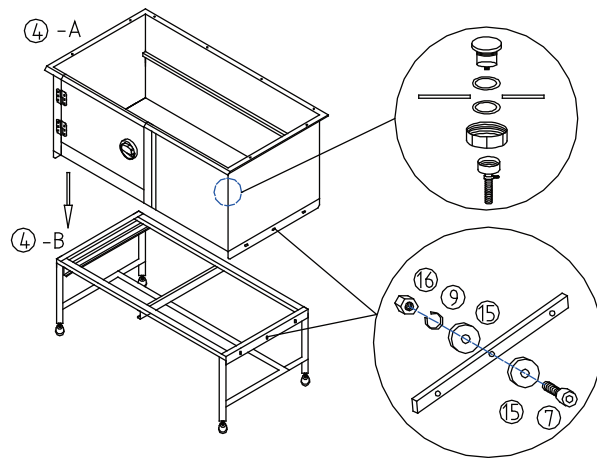
- | | |
|--------------------------------|-------------------------------|
| (1) Grooming arm(1) | (2) Tub backslash(1) |
| (3) Tub left/right splashes(2) | (4)-B Tub base(1) |
| (4)-A Tub basin(1) | (6) Ramp(1) |
| (5) Movable plate(1) | (9) Spring washers(22) |
| (7) Inner hexagon screw(22) | (11) Drain(1) |
| (8) Ø16mm Washers(32) | (12)-B Rubber gasket(1) |
| (10) Nuts(16) | (12)-A Sponge gasket(1) |
| (13) Plastic fixed nut(1) | (14) Hose for the drainage(1) |
| (15) Ø22mm Washers(12) | (16) Nuts(6) |



Tools Needed:

Inner hex wrench
Inner hex screwdriver

Assembly Instruction:



1. Put the Tub basin (4)-A on the Tub base (4)-B , bolt the Inner hexagon screw (7) , Washer (15), Spring washer (9) and nut (16) to every pre-drilled holes in the Tub base (4)-B as per the attached picture.

2. Put the Sponge gasket (12)-A into the Drain (11), and then put then into the hole of the tub basin (4)-A. Put the Rubber gasket (12)-B into the Drain and use the Plastic fix nut (13) to bolt the rubber gasket. Connect the Hose for the drainage (14) into the Drain and bolt the screw in the hose.

3. Bolt the bottom of the Backslash (2) to the Tub basin (4)-A. Use a Inner hexagon screw (7), two Ø 16mm Washers (8), a Spring washer (9), and a Nut (10) in every pre-drilled hole.

4. Bolt the bottom of the left/right splashes (3) to the Tub basin as per the Step 3.

5. Bolt the Grooming arm(1) to the left/right splashes(3) as per the step 3.

6. Put the Movable plate (5) into the Tub basin (4)-A.

